



AVK GATE VALVE OS&Y ANSI

45/5C

To AWWA C509 (OS&Y) with rising stem
 Face to face dimension to ANSI B16.10 class 150
 Flange Ends as per ANSI B16.42 class 150, ductile iron

Use:

For water, sewage and neutral liquids to max. 70°C

Tests:

Hydraulic test to AWWA C509
 Seat: 1 x Rwp = 250 PSI
 Body: 2 x Rwp = 500 PSI

AVK SVMC test:

Hydraulic test to UL	2" to 12"	14" to 16"
Seat: 1.5 x Rwp =	375	300 PSI
Body: 2 x Rwp =	500	400 PSI

2" to 12" :
 Rated working pressure (Rwp) = 250 PSI
 14" to 16" :
 Rated working pressure (Rwp) = 200 PSI

Optional extras:

Drilling to EN 1092-2
 (DIN 2501, ISO 7005-2)

Approvals for Gate Valve:



LISTED



APPROVED

Materials:

Body and bonnet	Ductile iron, to EN 1563, GGG-50 (grade 500-7)
Yoke and gland follower	Ductile iron, to EN 1563, GGG-50 (grade 500 - 7)
Handwheel	Grey cast iron, GG-25, to EN 1561 (GJL - 250)
Coating	FBE Electrostatically applied 250 micron
Stem	Bronze
Stem sealing rings	NBR O-rings
Wedge nut, stem nut, washer	Dezincification resistant brass, CZ 132
Gland bushing, gland nut	Polyamide 6.6
Wedge	Ductile iron core fully encapsulated with EPDM rubber
Pin	Stainless steel A2
Gland bolts, bonnet bolts	Stainless steel A4
Bonnet gasket	NBR rubber

Optional extras:

- SUPERVISORY SWITCH

Outside screw and yoke

Environmental limitations:
 -40°C to 60°C

IP67

Indoor and outdoor use (not for use in hazardous locations)

Approvals for Switch:

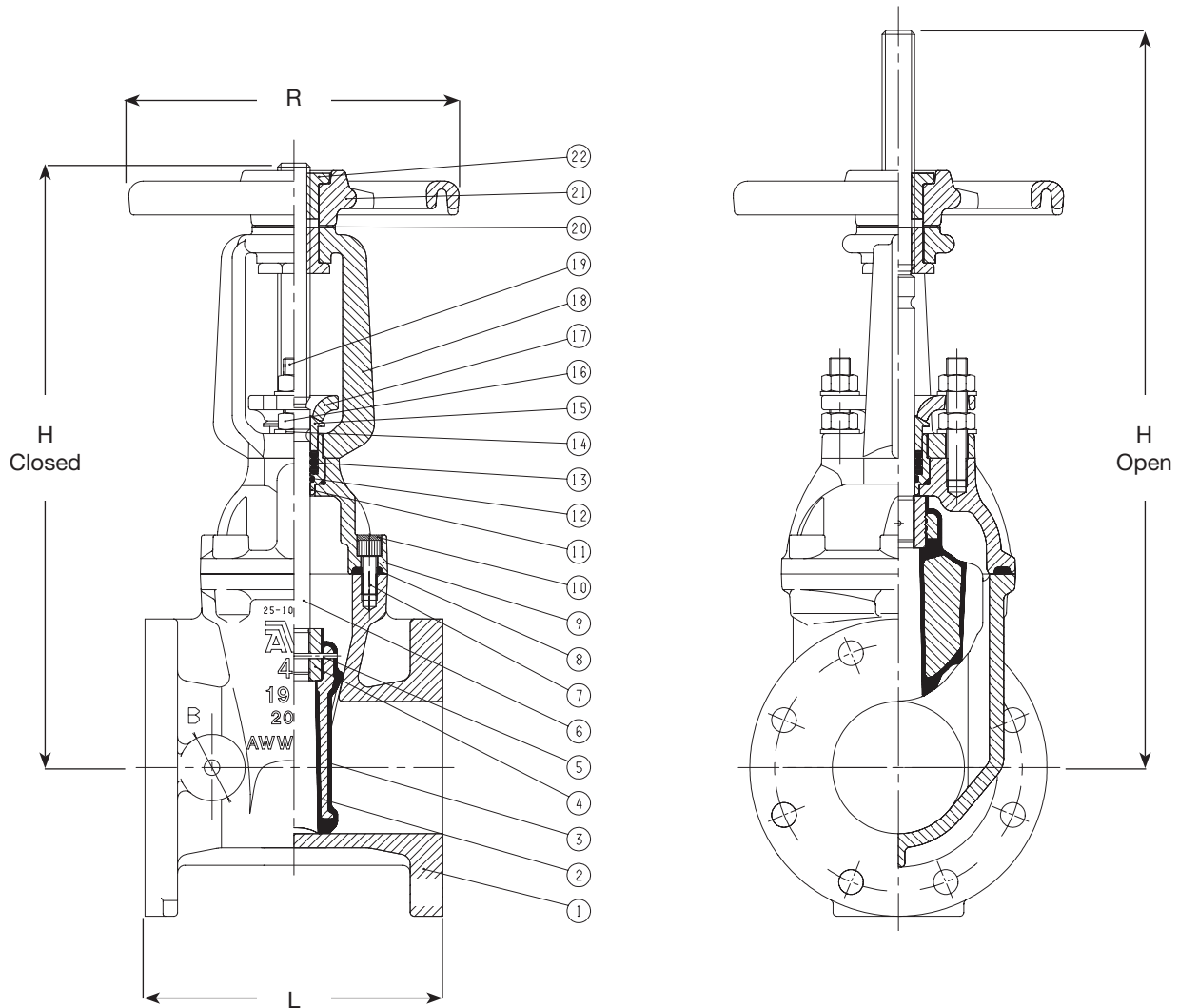
UL/FM
 CE Marked



To AWWA C509 (OS&Y) with rising stem
 Face to face dimension to ANSI B16.10 class 150
 Flange Ends as per ANSI B16.42 class 150, ductile iron

Component list

- | | | |
|------------------|-----------------------|--------------------|
| 1. Valve body | 9. Valve bonnet | 17. Gland follower |
| 2. Wedge body | 10. Bonnet bolt seals | 18. Yoke |
| 3. Wedge | 11. Gland bushing | 19. Stud bolt |
| 4. Wedge nut | 12. O-ring | 20. Washer |
| 5. Pin | 13. O-ring | 21. Handwheel |
| 6. Stem | 14. Washer | 22. Stem nut |
| 7. Bonnet screw | 15. Gland | |
| 8. Bonnet gasket | 16. Hexagon nut | |



Ref. Nos.	Nominal size	H open mm	H closed mm	R	L	Turns to open	Weight Kgs
45-050-5C	2"	345	279	180	178	14	19
45-065-5C	2.5"	398	332	180	190	17	23
45-080-5C	3"	429	350	180	203	20	25
45-100-5C	4"	524	420	254	229	21	39
45-150-5C	6"	785	581	305	267	30	63
45-200-5C	8"	942	736	356	292	35	97
45-250-5C	10"	1138	882	432	330	44	157
45-300-5C	12"	1317	1009	432	356	44	238
45-350-5C	14"	1789	1403	636	381	50	305
45-400-5C	16"	1804	1389	636	406	56	310